



FIRE EXTINGUISHER CABINETS

AMBASSADOR SERIES: STEEL TRIM AND DOOR

Door and Trim Construction: Cold rolled steel with white powder-coat finish standard. Flush cabinet doors with a 5/8" door stop are attached by a continuous hinge and equipped with zinc-plated handle and roller catch.

Trim Style and Depth: Trimless Recessed - for 5/8" depth drywall or 3/4" plaster. Recessed - 3/8" flat trim. Semi-Recessed - 1 1/4", 1 1/2" Square Edge or 2 1/2", 3", 4" (recessed pull), 4 1/2" Rolled Edge. Surface-mount has a square edge or optional rolled edge upon request. 1 3/4" face trim on frame and 1 1/4" trim on doors with glazing.

Tub: Constructed of cold rolled steel with white powder-coat finish standard.

Options at Additional Cost: Color door and trim or tub. Rolled Edge Surface Mount Cabinet. Custom colors. See page 24.

Fire-Rated Option Available: Yes



AMBASSADOR 1017F10
WITH OPTIONAL LETTERING
(BLK OPTION)



AMBASSADOR
1013F10

ACADEMY SERIES: ALUMINUM TRIM AND DOOR

Door and Trim Construction: Clear anodized aluminum. Flush cabinet doors with a 5/8" door stop are attached by a continuous hinge and equipped with zinc-plated handle and roller catch.

Trim Style and Depth: Trimless Recessed - for 5/8" depth drywall or 3/4" plaster. Recessed - 3/8" flat trim. Semi-Recessed - 1 1/4", 1 1/2" Square Edge or 2 1/2", 3", 4" (recessed pull), 4 1/2" Rolled Edge. Surface-mount has a square edge. 1 3/4" face trim on frame and 1 1/4" trim on doors with glazing. Rolled edge models are constructed of mechanically-joined extrusions, except for models 1827 and 1027 which are die formed. Die formed corners provide an attractive, rounded edge - unique to the JL line of cabinets!

Tub: Constructed of cold rolled steel with white powder-coat finish standard. Surface-mounted models have clear anodized aluminum tubs.

Options at Additional Cost: Dark bronze anodized finish. See page 24. Aluminum tub for non-rated use (#180 clear anodized).

Fire-Rated Option Available: Yes



ACADEMY 1027V10 (DK
BRONZE OPTION)



ACADEMY C1027V10

COSMOPOLITAN SERIES: STAINLESS STEEL TRIM AND DOOR

Door and Trim Construction: No. 4 Stainless Steel Trim and Door. Flush cabinet doors with a 5/8" door stop are attached by a continuous hinge and equipped with zinc-plated handle and roller catch.

Trim Style and Depth: Trimless Recessed - for 5/8" depth drywall or 3/4" plaster. Recessed - 3/8" flat trim. Semi-Recessed - 1 1/4", 1 1/2" Square Edge or 2 1/2", 3", 4" (recessed pull), 4 1/2" Rolled Edge. Surface-mount has a square edge or optional rolled edge upon request. 1 3/4" face trim on frame and 1 1/4" trim on doors with glazing.

Tub: Constructed of cold rolled steel with white powder-coat finish standard. Surface-mounted models have No 4 stainless tubs.

Options at Additional Cost: Custom stainless finishes - #6 satin, #7 polished, #8 mirror. Stainless tub with #4 finish. Rolled Edge Surface Mount Cabinet.

Fire-Rated Option Available: Yes



COSMOPOLITAN 1036F16
(POLISHED #7)



COSMOPOLITAN
1035S21

CABINET OPTIONS FOR ALL MODELS: AMBASSADOR, ACADEMY & COSMOPOLITAN

Door Styles w/Pull

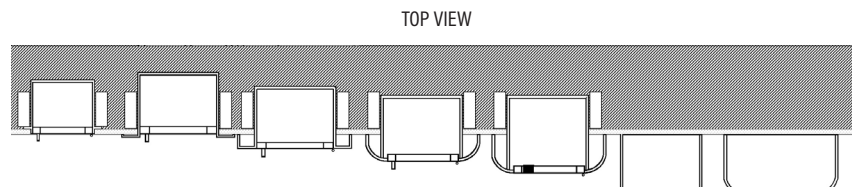
- F** Full Glazing
- G** Full Glazing & SAF-T-LOK™
- D** Horizontal Duo Panel
- E** Horizontal Duo Panel & SAF-T-LOK™
- S21** Solid
- L22** Solid & SAF-T-LOK™
- L24** Solid with Cylinder Lock & No Handle
- B10** Solid with 2" x 4" Acrylic Insert & SAF-T-LOK
- V** Vertical Duo
- W** Vertical Duo & SAF-T-LOK™

Door Glazing

- 10** Clear Acrylic
- 13** Clear Wire Glass w/ Safety Film
- 15** Bronze Acrylic
- 16** Gray Acrylic
- 17** Clear Tempered Glass
- 18** Laminated Safety Glass

Options at Additional Cost

- Vertical or Horizontal Lettering - See Page 21
- Futura Embossed "Fire" Handle in Mill, White or Red
- Flush Pull or Chrome Pull
- Wall Signs & Alarms - See Page 20
- Red or Black Painted Steel Tub
- Engraved Metal Door or Etched Glass

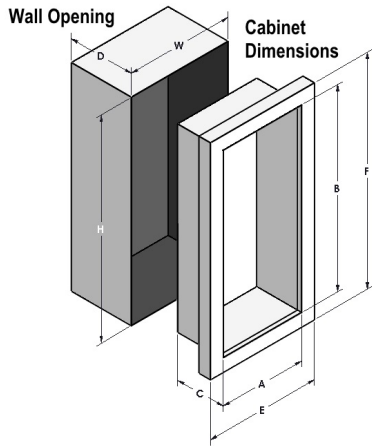


- TRIMLESS RECESSED FLANGE FOR 5/8" DRYWALL OR 3/4" PLASTER
- 3/8" FLAT TRIM
- 1-1/2" SQUARE TRIM
- 2-1/2", 3" ROLLED EDGE
- 4" ROLLED EDGE WITH RECESSED PULL STANDARD
- SURFACE MOUNT SQUARE TRIM
- SURFACE MOUNT OPTIONAL ROLLED EDGE

FIRE EXTINGUISHER CABINETS



AMBASSADOR, ACADEMY, COSMOPOLITAN: DOOR STYLES



SELECTION CHART FOR AMBASSADOR, ACADEMY, COSMOPOLITAN SERIES

Trim and Door Material and Series #			Trim Style	Tub I.D.			Frame O.D.		Wall Opening: Non-rated			Wall Opening: FX2 Option			Accommodates Following Extinguishers
Steel	Aluminum	Stainless Steel		A	B	C	E	F	W	H	D	W	H	D	
AMBASSADOR	ACADEMY	COSMOPOLITAN		Width	Height	Depth									
8114	8124	8134	Trimless 5/8" Drywall ‡	9	18	5 1/2	12 1/8	21 1/8	10	19	5 5/8	11 5/16	20 5/16	6 3/16	Cosmic & Galaxy 2.5-6, Mercury 2.5-5 (Mount 6lb to tub)
8115	8125	8135	Flat Trim	9	18	5 1/2	12 3/8	21 3/8	10	19	5 3/8	11 5/16	20 5/16	6 7/16	
8116	8126	8136	1 1/2" Square	9	18	5 1/2	12 3/8	21 3/8	10	19	4 1/8	11 5/16	20 5/16	5 3/16	
8117	8127	8137	2 1/2" Rolled	9	18	5 1/2	12 3/8	21 3/8	10	19	3 1/8*	11 5/16	20 5/16	4*	
8113	8123	8133	Surf. Mtd.	12 3/16	21 3/16	6	12 3/8	21 3/8	--	--	--	--	--	--	
1710	1720	1730	2 1/4" Square	10 1/2	24	5	13 7/8	27 3/8	11 1/2	25	3	12 13/16	26 5/16	4	Cosmic & Galaxy 2.5-6, Mercury 2.5 & 5 (Mount 6lb to tub)
1815	1825	1835	Flat Trim	10 1/2	24	5 1/2	13 7/8	27 3/8	11 1/2	25	5 3/8	12 13/16	26 5/16	6 7/16	
1816	1826	1836	1 1/2" Square	10 1/2	24	5 1/2	13 7/8	27 3/8	11 1/2	25	4 1/8	12 13/16	26 5/16	5 3/16	
1817	1827	1837	3" Rolled	10 1/2	24	5 1/2	13 7/8	27 3/8	11 1/2	25	2 5/8	12 13/16	26 5/16	3 5/8	
1812	1822	1832	4" Rolled, Flush Pull	10 1/2	24	5 1/2	13 7/8	27 3/8	11 1/2	25	1 7/8*	12 13/16	26 5/16	2 7/8*	
1818	1828	1838	4 1/2" Rolled	10 1/2	24	5 1/2	13 7/8	27 3/8	11 1/2	25	1 1/8*	12 13/16	26 5/16	2 3/16*	
1014	1024	1034	Trimless 5/8" Drywall ‡	10 1/2	24	6	13 5/8	27 1/8	11 1/2	25	6 1/8	12 13/16	26 5/16	6 11/16	Cosmic & Galaxy 2.5-10, Mercury 2.5 & 5, Sentinel 5
1015	1025	1035	Flat Trim	10 1/2	24	6	13 7/8	27 3/8	11 1/2	25	5 7/8	12 13/16	26 5/16	6 15/16	
1016	1026	1036	1 1/2" Square	10 1/2	24	6	13 7/8	27 3/8	11 1/2	25	4 5/8	12 13/16	26 5/16	5 11/16	
1017	1027	1037	3" Rolled	10 1/2	24	6	13 7/8	27 3/8	11 1/2	25	3 1/8	12 13/16	26 5/16	4	
1012	1022	1032	4" Rolled, Flush Pull	10 1/2	24	6	13 7/8	27 3/8	11 1/2	25	2 3/8*	12 13/16	26 5/16	3 3/8*	
1018	1028	1038	4 1/2" Rolled	10 1/2	24	6	13 7/8	27 3/8	11 1/2	25	1 5/8*	12 13/16	26 5/16	2 11/16*	
1013	1023	1033	Surf. Mtd.	13 11/16	27 3/16	6 1/2	13 7/8	27 3/8	--	--	--	--	--	--	
2014	2024	2034	Trimless 5/8" Drywall ‡	12	27	7 3/4	15 1/8	30 1/8	13	28	7 7/8	14 5/16	29 5/16	8 7/16	Any Cosmic**, Galaxy**, Mercury, Saturn or Grenadier P, Sentinel 5 & 10
2015	2025	2035	Flat Trim	12	27	7 3/4	15 3/8	30 3/8	13	28	7 5/8	14 5/16	29 5/16	8 11/16	
2016	2026	2036	1 1/4" Square	12	27	7 3/4	15 3/8	30 3/8	13	28	6 5/8	14 5/16	29 5/16	7 11/16	
2017	2027	2037	2 1/2" Rolled	12	27	7 3/4	15 3/8	30 3/8	13	28	5 3/8*	14 5/16	29 5/16	6 7/16*	
2012	2022	2032	4" Rolled, Flush Pull	12	27	7 3/4	15 3/8	30 3/8	13	28	4 1/8*	14 5/16	29 5/16	5 1/8*	
2018	2028	2038	4 1/2" Rolled	12	27	7 3/4	15 3/8	30 3/8	13	28	3 3/8*	14 5/16	29 5/16	4 7/16*	
2013	2023	2033	Surf. Mtd.	15 3/16	30 3/16	8 1/4	15 3/8	30 3/8	--	--	--	--	--	--	
3015	3025	3035	Flat Trim	16	32	7 3/4	19 3/8	35 3/8	17	33	7 5/8	18 5/16	34 5/16	8 11/16	Any Cosmic**, Galaxy**, Mercury, Saturn or Grenadier P, Sentinel 5 & 10 & 15, 272
3016	3026	3036	1 1/4" Square	16	32	7 3/4	19 3/8	35 3/8	17	33	6 5/8	18 5/16	34 5/16	7 11/16	
3017	3027	3037	2 1/2" Rolled	16	32	7 3/4	19 3/8	35 3/8	17	33	5 3/8*	18 5/16	34 5/16	6 7/16*	
3012	3022	3032	4" Rolled, Flush Pull	16	32	7 3/4	19 3/8	35 3/8	17	33	4 1/8*	18 5/16	34 5/16	5 1/8*	
3018	3028	3038	4 1/2" Rolled	16	32	7 3/4	19 3/8	35 3/8	17	33	3 3/8*	18 5/16	34 5/16	4 7/16*	
4013	4023	4033	Surf. Mtd.	19 3/16	35 3/16	8 1/4	19 3/8	35 3/8	--	--	--	--	--	--	
4015	4025	4035	Flat Trim	20	27	7 3/4	23 3/8	30 3/8	21	28	7 5/8	22 5/16	29 5/16	8 11/16	Two Each of Any Cosmic**, Galaxy**, Mercury, Saturn or Grenadier P, Sentinel 5
4016	4026	4036	1 1/4" Square	20	27	7 3/4	23 3/8	30 3/8	21	28	6 5/8	22 5/16	29 5/16	7 11/16	
4017	4027	4037	2 1/2" Rolled	20	27	7 3/4	23 3/8	30 3/8	21	28	5 3/8*	22 5/16	29 5/16	6 7/16*	
4012	4022	4032	4" Rolled, Flush Pull	20	27	7 3/4	23 3/8	30 3/8	21	28	4 1/8*	22 5/16	29 5/16	5 1/8*	
4018	4028	4038	4 1/2" Rolled	20	27	7 3/4	23 3/8	30 3/8	21	28	3 3/8*	22 5/16	29 5/16	4 7/16*	
4013	4023	4033	Surf. Mtd.	23 3/16	30 3/16	8 1/4	23 3/8	30 3/8	--	--	--	--	--	--	

Dimensions in Inches

‡ TRIMLESS MODELS FEATURE NEW DESIGN AND MAY BE INSTALLED BEFORE DRYWALL - SEE SUBMITTAL AND INSTALLATION INFORMATION

*ADD 5/8" WALL DEPTH FOR CABINETS WITH ALUMINUM FRAMES.

**COSMIC 20 & GALAXY 20 EXTINGUISHER MUST BE MOUNTED ON THE BACK OF THE CABINET TUB.